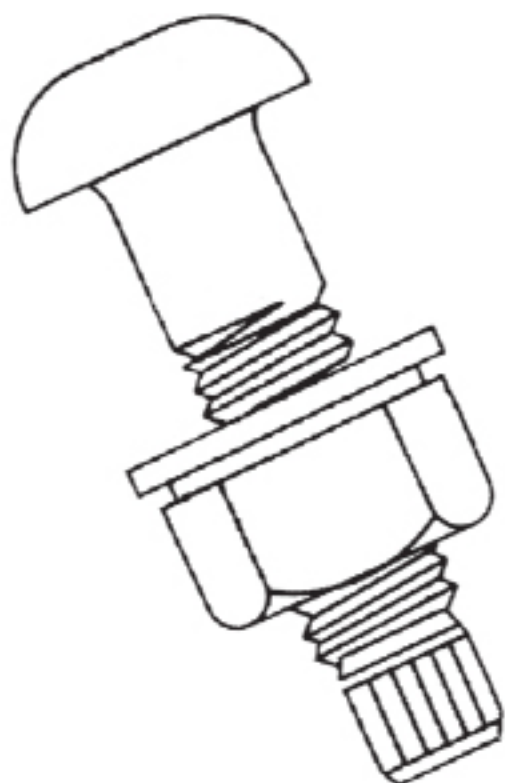




## WEIGHT TABLE OF F8T, F10T, F11T T.C. BOLTS, NUTS & WASHERS

Unit: gram

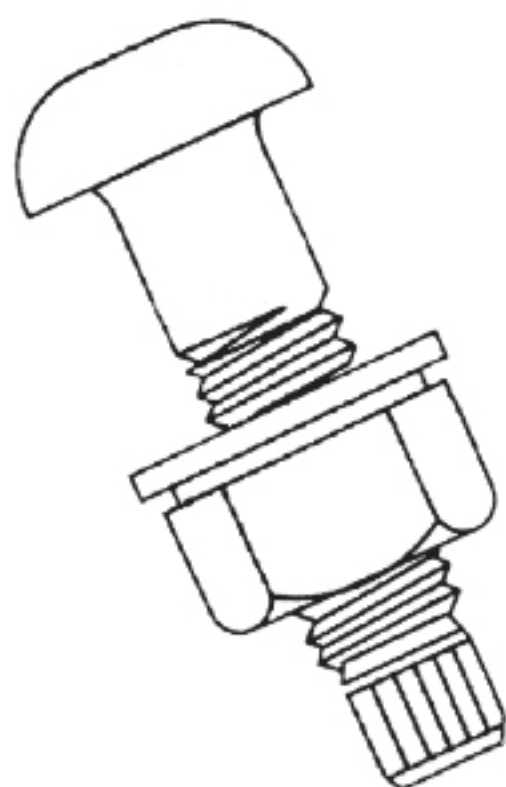


Nom. Diameter	M 16	M 20	M 22	M 24
Weight of Nut	57	97	137	201
Weight of Washer	20	32	52	62
Bolt Length (mm)	Weight of Set	Weight of Set	Weight of Set	Weight of Set
35	185	—	—	—
40	191	318	—	—
45	199	328	449	—
50	207	341	463	—
55	215	354	478	—
60	223	367	493	649
65	231	380	508	667
70	239	393	523	685
75	247	406	538	703
80	255	416	553	721
85	263	432	568	739
90	271	445	583	757
95	279	459	598	775
100	287	471	613	793
105	295	484	628	811
110	303	497	643	829
115	311	510	658	847
120	319	523	673	865
125	327	536	688	883
130	335	548	703	901
135	343	561	718	919
140	351	573	733	937
145	359	586	748	955
150	367	598	763	973



## WEIGHT TABLE OF A325, A490, T.C.BOLTS, NUTS & WASHERS

Unit: gram



Nom. Diameter	$\frac{5}{8}$ -11UNC	$\frac{3}{4}$ -10UNC	$\frac{7}{8}$ -9UNC	1-8UNC	$1\frac{5}{8}$ -7UNC 8UN
Weight of Nut	54	88	135	193	269
Weight of Washer	24	36	52	65	78
Bolt Length (in)	Weight of Set	Weight of Set	Weight of Set	Weight of Set	Weight of Set
1- $\frac{1}{2}$	182	285	—	—	—
1- $\frac{3}{4}$	192	299	—	—	—
2	202	313	463	—	—
2- $\frac{1}{4}$	212	328	482	657	—
2- $\frac{1}{2}$	222	342	501	682	890
2- $\frac{3}{4}$	232	356	521	708	923
3	242	370	540	733	956
3- $\frac{1}{4}$	252	385	559	758	989
3- $\frac{1}{2}$	261	399	579	784	1022
3- $\frac{3}{4}$	271	413	598	809	1055
4	281	427	617	834	1088
4- $\frac{1}{4}$	291	441	637	859	1121
4- $\frac{1}{2}$	300	455	656	885	1154
4- $\frac{3}{4}$	310	469	675	909	1187
5	320	483	695	935	1220
5- $\frac{1}{4}$	330	497	714	961	1253
5- $\frac{1}{2}$	339	511	734	987	1286
5- $\frac{3}{4}$	349	525	753	1013	269
6	359	539	773	1039	1352